

## Index

PROFILES	2
CLEAR AND DIFFUSE PC COVERS	3
LIGHT OUTPUT COVERS	4
EMBEDDED PROFILES (IP67)	5
FLEX DIFFUSER	5
CABLE ENTRY POSITION	6
CABLE CHANNEL	7
END CAPS	8
ACCESSORIES	9
ANNEX A	10
SYMBOLS	13

## Aeris

The liniLED® Aeris series consists of several durable aluminium profiles and can be finished with diffuse or clear covers. The assortment is complemented with a wide range of accessories, which allows you to compose the liniLED® Aeris Profiles to your liking. Making them fit for almost every indoor and outdoor LED lighting project.

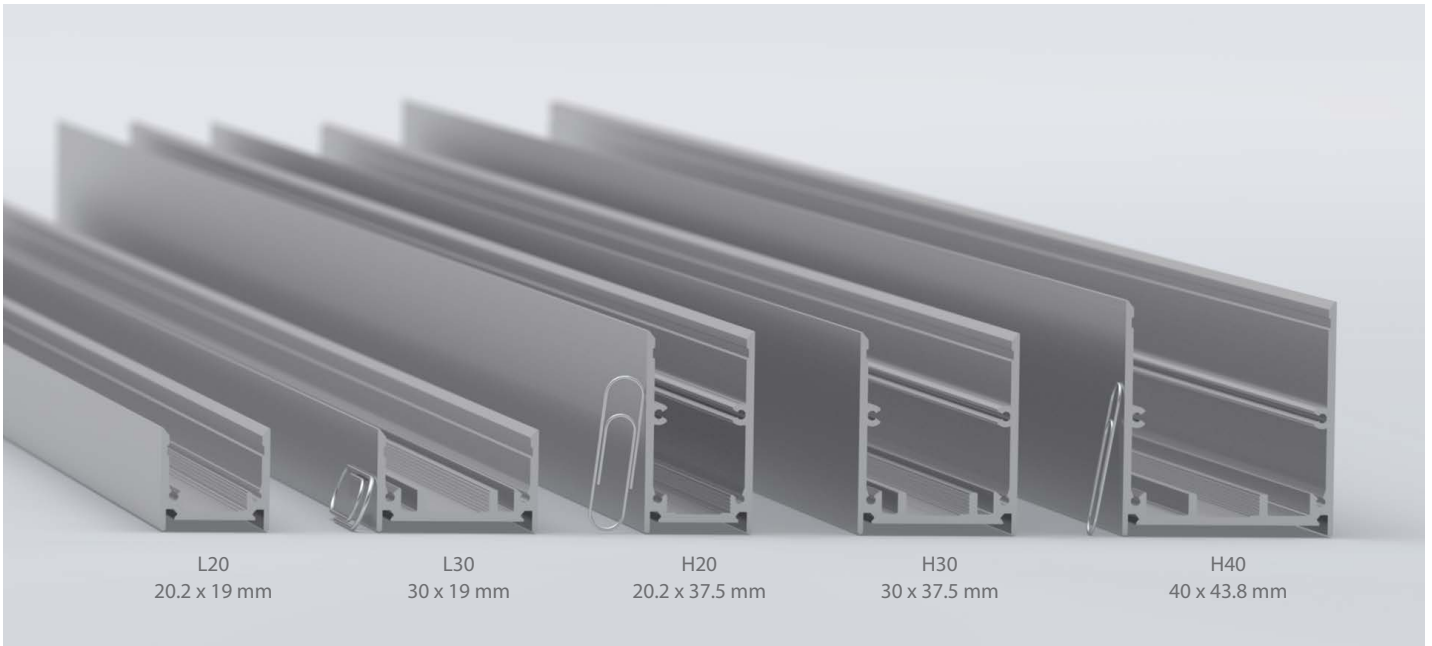
**A large benefit of the Aeris range is its flexibility. You can choose between anodised aluminium or powder coated white finish. When ordering larger quantities (or combining) it is possible to choose other colours like a matte black powder coat finish or even a gold anodised finish.**

The advantages of the Aeris series:

- Perfect integration in your building
- Several cable entries possible
- IP40 or IP67
- Integrated mounting solution for PCB and Top LED strips
- Tailor made profile colours
- Wide range of accessories

For more information about the configuration of the Aeris Profile and the latest version of this datasheet, visit our website: [www.liniLED.com](http://www.liniLED.com)

## Profiles



Depending on the project requirements, the Aeris range provides multiple options from the Aeris L20, for a small and thin light line, to an Aeris H40 to create large and wide light lines. The profiles are available in anodised silver and powder coated white on stock. Other colours are available on request.

<b>Length</b>	Up to 4000 mm (desired lengths on request).
<b>Material</b>	Aluminium
<b>Finish</b>	Anodised (silver) / powder coat (white)
<b>Colour options</b>	Silver / white / other colours upon request
<b>Line drawing</b>	See Annex A



### Example

Profile L20  
10710 1 m

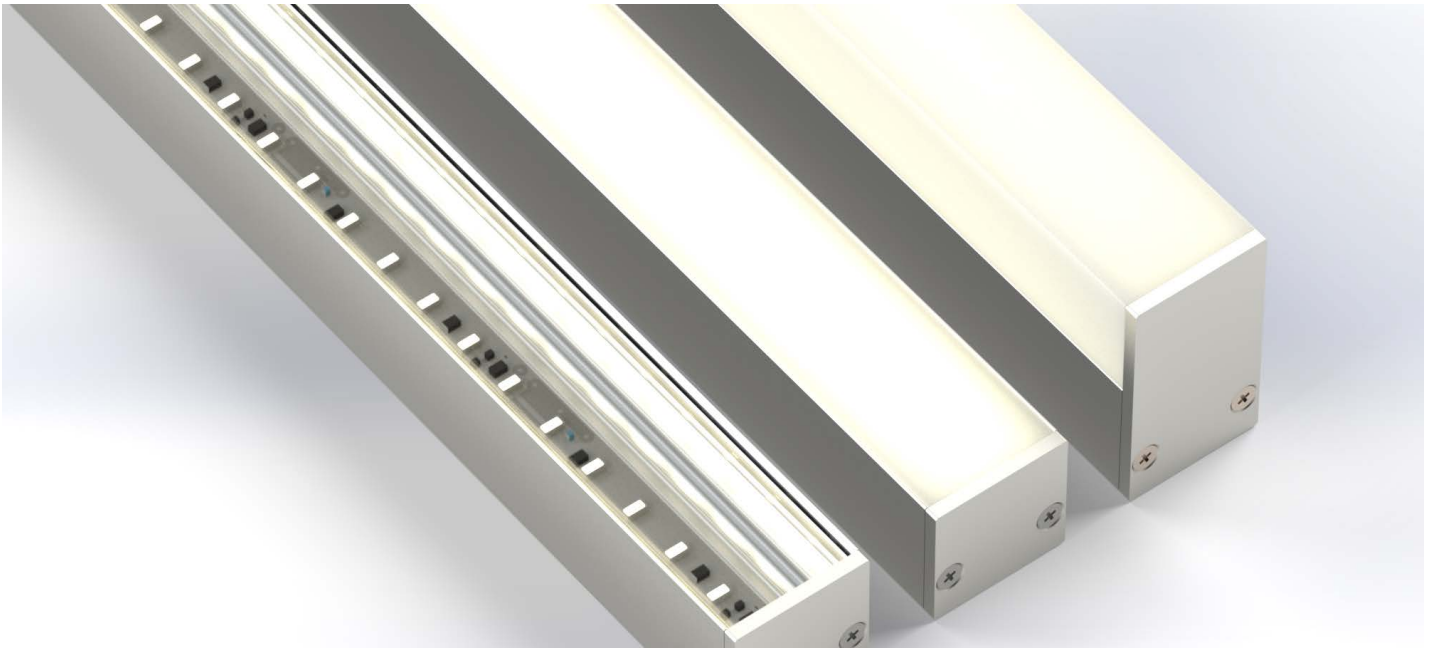


### Product codes

Please note products can also be tailor made with specified lengths.

	1 m		2 m		3 m		4 m	
	Silver	White	Silver	White	Silver	White	Silver	White
Aeris L20	10710	10210	10711	10211	10712	10212	10713	10213
Aeris L30	10730	10230	10731	10231	10732	10232	10733	10233
Aeris H20	10714	10214	10715	10215	10716	10216	10717	10217
Aeris H30	10734	10234	10735	10235	10736	10236	10737	10237
Aeris H40	10744	10244	10745	10245	10746	10246	10747	10247

## Clear and Diffuse PC covers



Different Covers are offered to acquire multiple looks: Clear, Diffuse Low and Diffuse High Covers. The clear cover transmits all light, while the diffuse creates a more homogeneous light output. The covers protect the LED strip against dust and ingress of solid objects and are available for all Aeris Profiles.

<b>Length</b>	Up to 4000 mm (desired lengths on request).	
<b>Material</b>	PC	
<b>Options</b>	Clear	C (20/30/40)
	Diffuse Low	D L (20/30/40)
	Diffuse High	D H (20/30/40)
<b>Line drawing</b>	See Annex A	

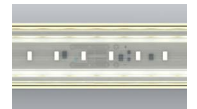


### Example

Profile L20  
10710 1 m



Cover Clear  
10804 1 m

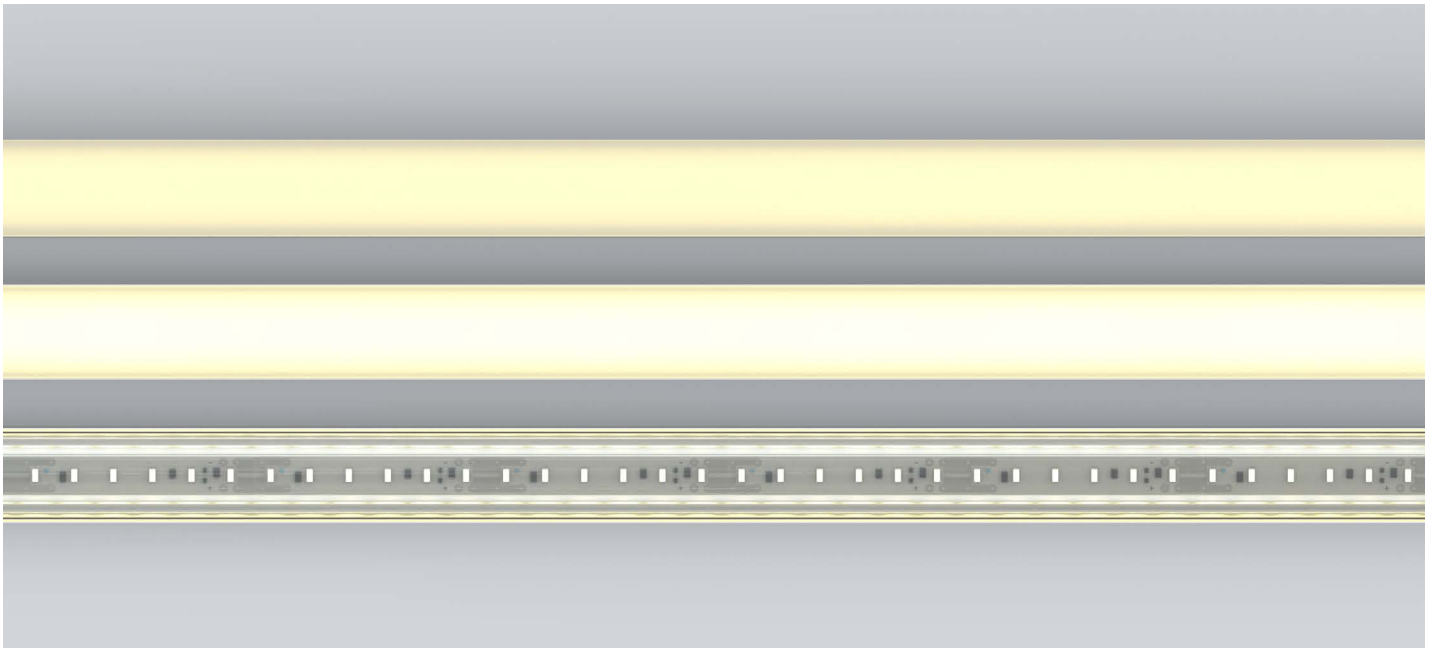


### Product codes

Please note products can also be tailor made with specified lengths.

	Clear cover C L(20/30/40)				Diffuse Low cover D L(20/30/40)				Diffuse High Cover D H(20/30/40)			
	1 m	2 m	3 m	4 m	1 m	2 m	3 m	4 m	1 m	2 m	3 m	4 m
Aeris L20   H20	10804	10805	10806	10807	10800	10801	10802	10803	10808	10809	10810	10811
Aeris L30   H30	10824	10825	10826	10827	10820	10821	10822	10823	10828	10829	10830	10831
Aeris H40	10844	10845	10846	10847	10840	10841	10842	10843	10848	10849	10850	10851

## Light output covers



The table below gives an overview of the profiles that give a diffuse output in combination with specific monochrome white LED strips. For other questions about this topic please contact your sales agent.

(■ = Diffuse)

	Diffuse L Cover				Diffuse H Cover			
	Deco G1	Power G1	High Power	Photon	Deco G1	Power G1	High Power	Photon
Aeris L20			■		■	■	■	■
Aeris L30			■		■	■	■	■
Aeris H20	■	■	■	■	■	■	■	■
Aeris H30	■	■	■	■	■	■	■	■
Aeris H40	■	■	■	■	■	■	■	■

The table below shows the approximate output % of the different profiles, compared to the bare PCB output. All profiles are the anodised version.

	Diffuse L Cover	Diffuse H Cover
Aeris L20	50-55 %	60-65 %
Aeris L30	55-60 %	65-70 %
Aeris H20	25-30 %	30-35 %
Aeris H30	35-40 %	40-45 %
Aeris H40	N/A	

## Embedded profiles (IP67)

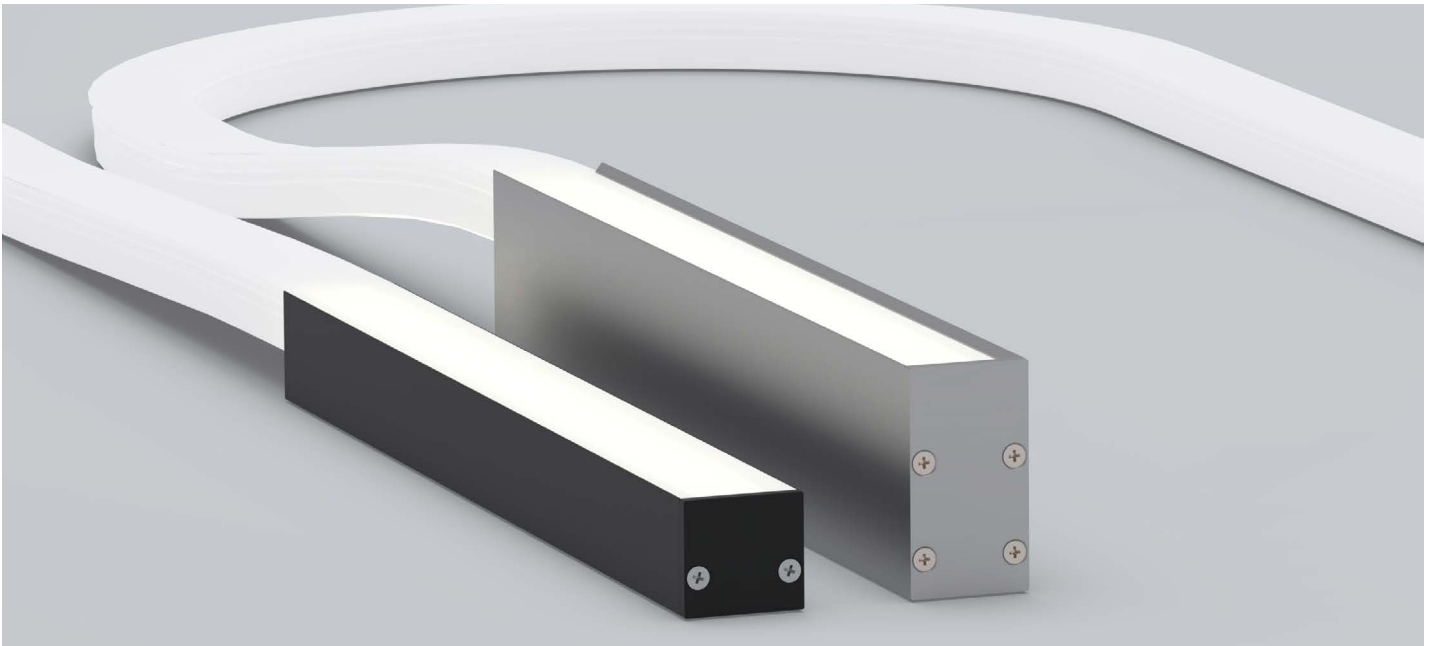
---



We also offer a potting service for our Aeris Profiles allowing you to create an IP67 fixture. This makes the profile dust resistant and suitable for moist environments. After having chosen the desired Profile, length and finish, select a clear or Diffuse PU potting method to acquire the desired appearance. We also offer a hard PU top layer for the H profiles which makes a suitable indoor walkover solution and more suitable for rougher environments.

## Flex Diffuser

---



With the Aeris Flex Diffuser it is possible to create an infinite diffuse light line. It is made to fit perfectly in the Aeris L20, besides that it also fits neatly in the Aeris H20. The image above shows what the result is in the different profiles.

The maximum length of a spool Flex Diffuser is 60 m and can be cut to fit on location.

## Cable entry position



The cable of the liniLED® Aeris can exit the profile in several ways (see image above):

- ① Through the bottom
- ② Through the side
- ③ Through the End Cap

Adding a Cable Channel is also possible (please see page 7 for more information). With most profiles and LED strip combinations a cable entry in the middle of the profile is also possible.

### Example

Profile L20  
10710 1 m



Cover Clear  
10804 1 m



Cable entry  
End Cap



## Cable Channel



The Aeris 20 and 30 range can be mounted to any surface with the Cable Channel. It will hide the cabling underneath your profile and provide a sleek mounting solution for the luminaire.

<b>Length</b>	Up to 4000 mm (desired lengths on request).
<b>Material</b>	Aluminium
<b>Finish</b>	Anodised (silver) / powder coat (white)
<b>Colour options</b>	Silver / white / other colours upon request
<b>Line drawing</b>	See Annex A



### Example

Profile L20  
10710 1 m



Cover Clear  
10804 1 m



Cable entry  
End Cap



Accessories CC 20  
10750 1 m



### Product codes

Please note products can also be tailor made with specified lengths.

	1 m		2 m		3 m		4 m	
	Silver	White	Silver	White	Silver	White	Silver	White
CC 20	10750	10250	10751	10251	10752	10252	10753	10253
CC 30	10754	10254	10755	10255	10756	10256	10757	10257

## End Caps



Based on the chosen Aeriis Profile, Cover and Cable Channel, the corresponding End Caps will complete the fixture. Please use the table below to select the appropriate End Cap. It is also possible to create custom End Caps for a specific application (MOQ 100 pieces). For example: use the End Cap to anchor the fixture to a wall.

<b>Dimensions</b>	Variable, corresponds with chosen profile
<b>Material</b>	Aluminium
<b>Finish</b>	Anodised (silver) / powder coat (white)
<b>Colour options</b>	Silver / white / other colours upon request
<b>Included</b>	Screws
<b>Line drawing</b>	See Annex A



### Example

Profile L20  
10710 1 m



Cover Clear  
10804 1 m



Cable entry  
End Cap



Accessories CC 20  
10750 1 m



End cap L20 Profile  
and Cable entry 10901

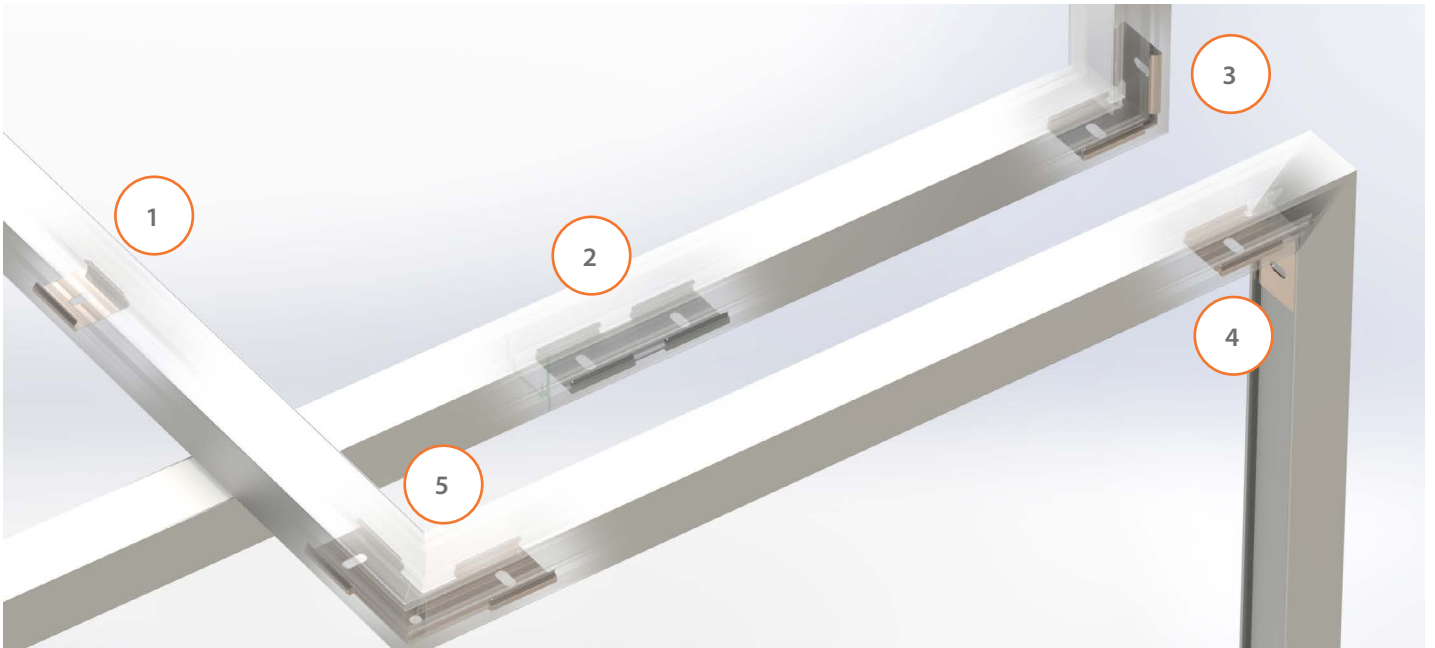


### Product codes

Profile with:	Low Cover		Low Cover + Cable entry		Low Cover + Cable Channel		Low Cover + Cable channel + Cable entry		High Cover		High Cover + Cable Entry	
Appearance												
	Silver	White	Silver	White	Silver	White	Silver	White	Silver	White	Silver	White
Aeris L20	10900	10400	10901	10401	10902	10402	10903	10403	10912	10412	10913	10413
Aeris L30	10920	10420	10921	10421	10922	10422	10923	10423	10932	10432	10933	10433
Aeris H20	10904	10404	10905	10405	10906	10406	10907	10407	10916	10416	10917	10417
Aeris H30	10924	10424	10925	10425	10926	10426	10927	10427	10936	10436	10937	10437
Aeris H40	10946	10446	10947	10447	-	-	-	-	10952	10452	10953	10453
Cable channel 20	10908	10408	10909	10409	-	-	-	-	-	-	-	-
Cable channel 30	10928	10428	10929	10429	-	-	-	-	-	-	-	-



## Accessories



Mounting the Aeris can be done with multiple clips or the Aeris Cable Channel. Some of the possibilities with these clips can be seen in the image above. Do you have a specific question or challenge? We like to think along to find the ideal mounting solution.

<b>Material</b>	Stainless steel (AISI 316)
<b>Colour</b>	Chromium plate
<b>Size</b>	The clips have a footprint that falls within the profiles.



liniLED® Aeris Clip

<b>Aeris Type</b>	20	30	40
<b>Product code</b>	10890	10891	10892



liniLED® Aeris Linker

<b>Aeris Type</b>	20	30
<b>Product code</b>	10861	10871



liniLED® Aeris Inner Corner

<b>Aeris Type</b>	20	30
<b>Product code</b>	10863	10873



liniLED® Aeris Outer Corner

<b>Aeris Type</b>	20	30
<b>Product code</b>	10864	10874



liniLED® Aeris Linker 90 Side

<b>Aeris Type</b>	20	30
<b>Product code</b>	10862	10872



liniLED® Rotary Clip

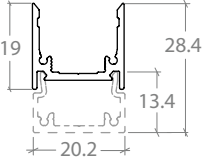
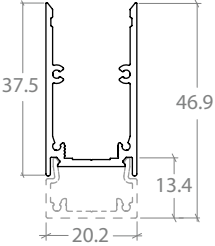
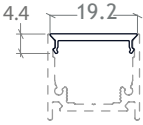
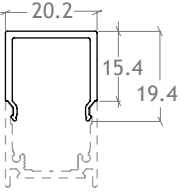
<b>Aeris Type</b>	20	30	40
<b>Product code</b>	10860	10870	10880

## Annex A - Line drawings Aeris 20

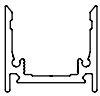

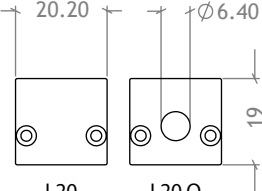


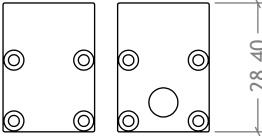
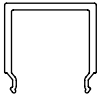
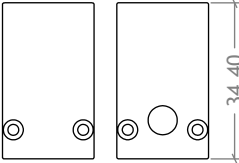
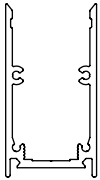
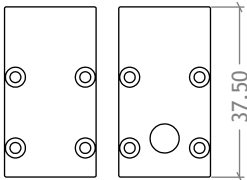
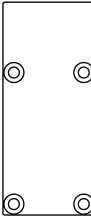
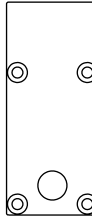
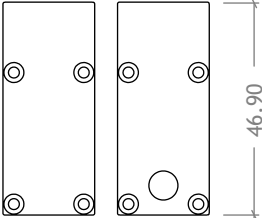
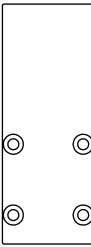
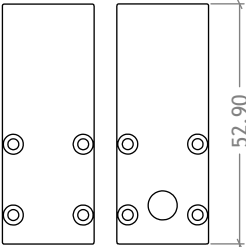

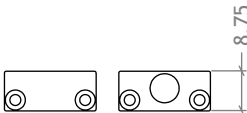
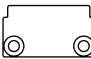
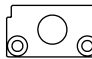
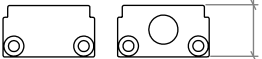
For all line drawings and other downloads please visit our website [www.liniled.com/Aeris](http://www.liniled.com/Aeris)

### Profiles and Cable Channels

### Covers

 <p>Profile L20 Cable Channel 20</p>	 <p>Profile H20 Cable Channel 20</p>	 <p>Cover C/D L20</p>	 <p>Cover D H20</p>
---	---	---	--

### End caps

Cover / Cable Channel	Profile	Cover L20	Cover D H20
 <p>Profile L20</p>	 <p>Cover L20</p>  <p>L20 10900    L20 O 10901</p>	 <p>Cover L20</p>  <p>Cable Channel</p>  <p>LC20 10902    LC20 O 10903</p>	 <p>Cover D H20</p>  <p>L20+ 10912    L20+ O 10913</p>
 <p>Profile H20</p>	 <p>H20 10904    H20 O 10905</p>	 <p>Cover H20</p>  <p>Cable Channel</p>  <p>HC20 10906    HC20 O 10907</p>	 <p>Cover D H20</p>  <p>H20+ 10916    H20+ O 10917</p>
 <p>Cable Channel</p>	 <p>C20 10908    C20 O 10909</p>	 <p>Cover C20</p>  <p>Cable Channel</p>  <p>C20M 10910    C20M O 10911</p>	

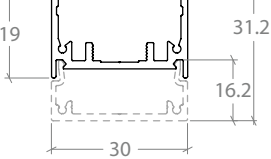
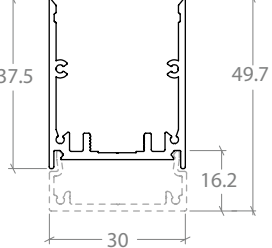
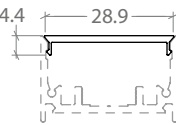
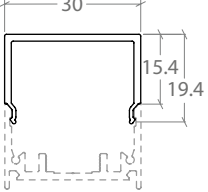
Note: for powder coated version the dimensions will be slightly larger due to the addition of material.

## Annex A - Line drawings Aeris 30

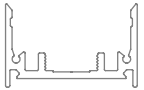
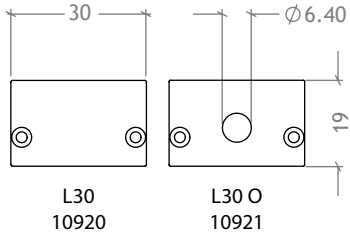
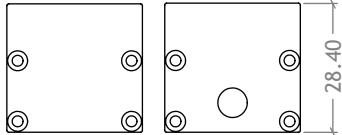
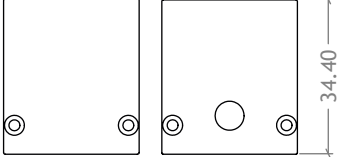
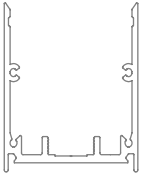
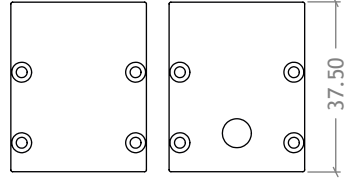
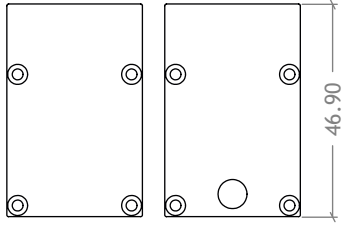
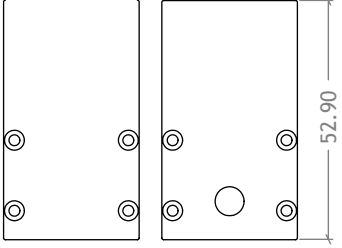

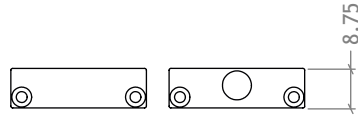
For all line drawings and other downloads please visit our website [www.liniled.com/Aeris](http://www.liniled.com/Aeris)

### Profiles and Cable Channels

### Covers

 <p>Profile L30 Cable Channel 30</p>	 <p>Profile H30 Cable Channel 30</p>	 <p>Cover C/D L30</p>	 <p>Cover D H30</p>
---	---	---	--

### End caps

Cover / Cable Channel Profile	Cover L30	Cover L30 Cable Channel	Cover D H30
 <p>Profile L30</p>	 <p>L30 10920      L30 O 10921</p>	 <p>LC30 10922      LC30 O 10923</p>	 <p>L30+ 10932      L30+ O 10933</p>
 <p>Profile H30</p>	 <p>H30 10924      H30 O 10925</p>	 <p>HC30 10926      HC30 O 10927</p>	 <p>H30+ 10936      H30+ O 10937</p>
 <p>Cable Channel</p>	 <p>C30 10928      C30 O 10929</p>		

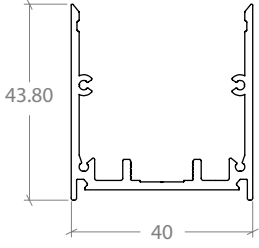
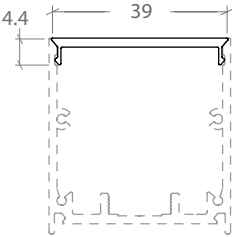
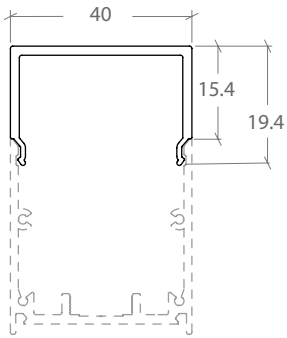
Note: for powder coated version the dimensions will be slightly larger due to the addition of material.

## Annex A - Line drawings Aeris 40

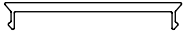

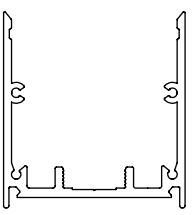
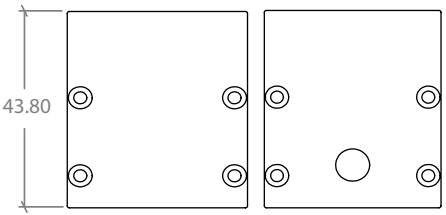
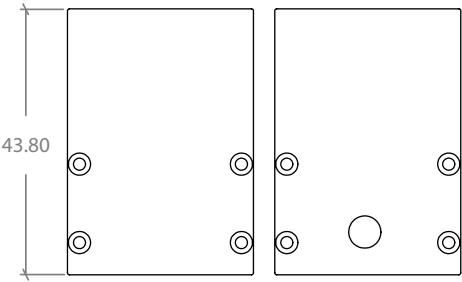
For all line drawings and other downloads please visit our website [www.liniled.com/Aeris](http://www.liniled.com/Aeris)

### Profiles and Cable Channels

### Covers

 <p>Profile H40</p>		 <p>Cover C/D L40</p>	 <p>Cover D H40</p>
--	--	---	--

### End caps

<p>Cover</p> <p>Profile</p>	 <p>Cover L40</p>	 <p>Cover D H40</p>
 <p>Profile H40</p>	 <p>H40 10946</p> <p>H40 O 10947</p>	 <p>H40+ 10952</p> <p>H40+ O 10953</p>

Note: for powder coated version the dimensions will be slightly larger due to the addition of material.

## Symbols

---



Manufacturer's declaration that the product meets the applicable EC directives.



Restriction of Hazardous Substances (RoHS): product complies with the RoHS directive and each homogeneous material does not exceed the limits for the materials mentioned under the RoHS directive (Pb, Hg, Cd, Cr6+, PBB and PBDE).



Protected against ingress of solid foreign objects  $\geq 1.0$  millimetres. Not-protected against ingress of water.



Dust-tight, no ingress of dust. Protected against the effects of temporary immersion in water (Immersion in water at a maximum depth of 1 metre up to a half hour).



Electrical appliance class III: this product is designed to be supplied from an extra-low voltage ( $\leq 60.0$  V DC or  $\leq 42.4$  V AC).



Operating voltage of 24 V DC.



Product is resistant against ultraviolet (UV) light or sunlight. Non-UV resistant products can degrade or discolour fast when exposed to UV light.

## Disclaimer

---

The published information is checked to be as accurate as possible, however Triolight B.V. or any reseller of liniLED® cannot be held liable for any damages resulting from misprints, errors, modifications or outdated information. No legal rights can be derived from this document. Triolight B.V. reserves the right to modify the information without informing the customers. Please check for the latest version on [www.liniLED.com](http://www.liniLED.com). This product should not be used in applications, devices or systems where incorrect operation of the product may result in personal injury (includes emergency lighting) without written permission from the board of Triolight B.V. If nevertheless used in such applications, devices or systems, Triolight B.V. cannot be held liable for any resulting injury. liniLED® is a registered trademark of Triolight B.V.