

With a wide 180° beam angle, the liniLED® COB R RGB LED strip ensures expansive and immersive illumination, making it an ideal choice for dynamic and vibrant lighting designs.

Experience superior heat dissipation, ensuring optimal and reliable performance even in challenging conditions. The liniLED® COB R RGB boasts high package density, delivering a powerful and concentrated burst of colour, perfect for creating impactful lighting effects in various settings.

Benefit from the product's exceptional flexibility, offering ease of installation and adaptability to diverse design requirements. Whether you're illuminating architectural features, creating captivating ambiance, or enhancing visual aesthetics, the liniLED® COB R RGB provides a versatile and customizable lighting solution.

For the latest version of this datasheet, visit our website: <https://www.triolight.com/en/led-products/led-strips>

USPs

- 180° beam angle.
- Good heat dissipation.
- High package density.
- Good flexibility.

Available colours

Colour	Description
 RGB	liniLED® COB R RGB 600



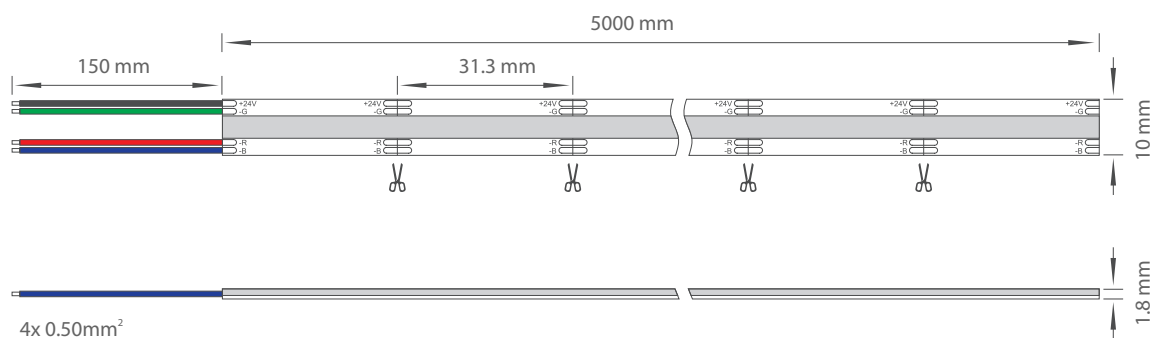
Technical specifications

RGB

Product code	RC06-RGB
Power (24V DC)	15 W/m
Color	RGB
CRI	/
Luminous flux	525 lm/m
Luminous efficiency	35 lm/W
Spool length	5 m
Section length	31.3 mm
LED type	COB
Number of LEDs	672 pcs
Max. connection length	5 m
Min. operating voltage	23V DC
Max. operating voltage	25V DC
Width	10 mm
Height	1.8 mm
Dimmable	PWM, 0-10V, DALI and DMX dimming
MacAdam Steps	3 Steps
Type of protection	IP22
Storage temperature	-20°C ... +60°C
Operating temperature	-20°C ... +70°C

Typical measured values are given, which due to tolerances in components and production process can vary up to 10%.

Product drawings



Power consumption

To power the liniLED® LED strips and lighting fixtures, a power supply from the liniLED® Power assortment can be selected. Selection of the correct power supply must be done by taking the total requested power and the environment into account.

The total power consumption can be calculated by summing the requested power of all connected products. To calculate the power consumption of a single length of LED strip, use the equation below. The typical equation is valid if the product is supplied by a 24 V DC constant voltage power supply. If the output voltage of a power supply is increased, the power consumption will increase with the same ratio and needs to be corrected by using the optional part of the equation found between brackets.

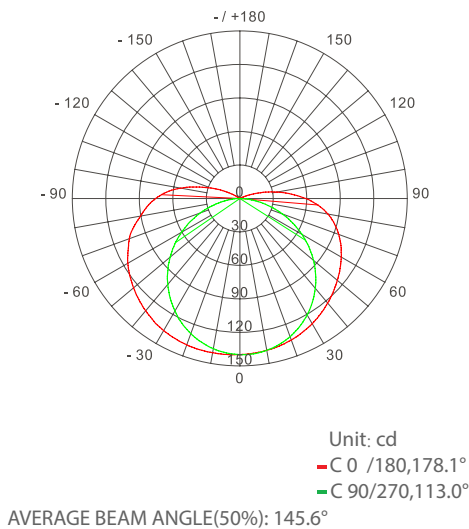
$$P_{STRIP} = P_{PRODUCT} \times X_{LENGTH} \times 110\% \left[\times \frac{U_{SUPPLY}}{24} \right]$$

- P_{STRIP}** Calculated power consumption of one LED strip in Watt
- $P_{PRODUCT}$** Typical power consumption in Watt per metre of the selected LED strip
This value can be found under 'Product characteristics' on page 2
- X_{LENGTH}** Length of the connected LED strip in metres
- 110%** Safety margin to buffer differences over all production batches
- Optional:
- U_{SUPPLY}** Set supply voltage of the power supply in Volt
- 24** Nominal supply voltage of liniLED® in Volt

Photometric information

In the process of lighting design and calculations, the luminous flux and beam angle alone are not enough information to create a representative and realistic calculation or render. There is a set of photometric files for each LED strip type, available in two different file formats:

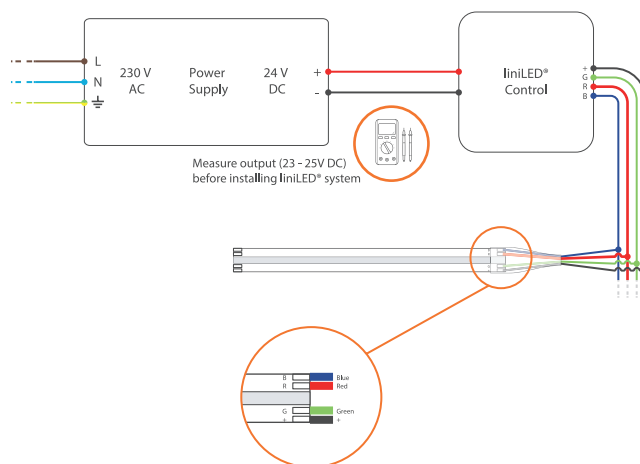
- Eulumdat (.ldt)
- IES LM-63-1995 (.ies)



Height	Flux Out: 334.1lm	Beam Angle: 113.01°	Diameter
0.02m	571.2,2121lx		6.04cm
0.04m	142.8,530.4lx		12.09cm
0.06m	63.46,235.7lx		18.13cm
0.08m	35.70,132.6lx		24.18cm
0.10m	22.85,84.86lx		30.22cm
0.12m	15.87,58.93lx		36.27cm
0.14m	11.66,43.30lx		42.31cm
0.16m	8.925,33.15lx		48.36cm
0.18m	7.052,26.19lx		54.40cm
0.20m	5.712,21.21lx		60.45cm

Note: the above data is based on RC06-RGB. For other data, please consult sales rep.


Power and connection diagram





Disclaimer


The published information is checked to be as accurate as possible, however Triolight B.V. or any reseller of liniLED® cannot be held liable for any damages resulting from misprints, errors, modifications or outdated information. No legal rights can be derived from this document. Triolight B.V. reserves the right to modify the information without informing the customers. Please check for the latest version on www.triolight.com. This product should not be used in applications, devices or systems where incorrect operation of the product may result in personal injury (includes emergency lighting) without written permission from the board of Triolight B.V. If nevertheless used in such applications, devices or systems, Triolight B.V. cannot be held liable for any resulting injury. liniLED® is a registered trademark of Triolight B.V.


Symbols


- 

Manufacturer's declaration that the product meets the applicable EC directives.
- 

Operating voltage of 24 V DC.
- 

Electro Static Discharge (ESD) sensitive device, apply standard ESD precautions when handling the product.
- 

Restriction of Hazardous Substances (RoHS): product complies with the RoHS directive and each homogeneous material does not exceed the limits for the materials mentioned under the RoHS directive (Pb, Hg, Cd, Cr6+, PBB and PBDE).
- 

Not protected against ingress of solid foreign objects. Not-protected against ingress of water.
- 

System guarantee of 3 years when the complete system consist of liniLED® products with the 3 years system warranty logo. Terms & conditions apply.