

## DIM MCU



### Manual control unit Fitting instructions

### Description

### Purpose and application

The DIM MCU electronic potentiometer (manual control unit) controls up to 50 dimmable electronic control gears and enables the manual brightness control of luminaires.

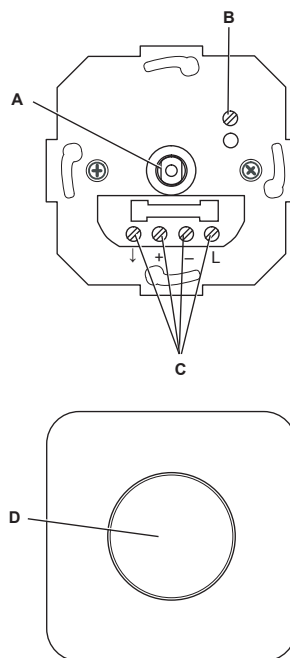
### Function

The potentiometer converts rotations of and pressure on the rotary knob into 1...10V voltage signals, which are transmitted to the dimmable electronic control gears.

### Design

The potentiometer is made up of the following components:

- Rotary potentiometer (A)
- Connections (C)
  - Control lines (+, -)
  - Dimmed + switched phase (↓)
  - Phase (L)
  - Trimmer (B)
- Housing with rotary knob (D)



### Installation

### Safety instructions

The potentiometer must only be installed and put into operation if the applicable safety regulations and accident prevention regulations must be observed.



#### WARNING!

Exposed, live cables.

Danger of electric shock!

- Only work on the potentiometer when it is de-energised.

#### CAUTION!

Destruction of the potentiometer and other devices through incorrect mounting!

- The potentiometer is designed for mounting in a deadequate cable strain relief and insulation.
- Do not wire the control line with an external voltage, especially not a mains voltage of 230 V.
- Do not exceed the maximum number of ECGs.

IV 2009

DIM\_MCU\_ma0904en\_we1.01.indd

**OSRAM GmbH**  
Kunden Service Center  
Customer-Service-Center (CSC)

Steinerne Furt 62  
86167 Augsburg  
Germany

Tel : +49 (0) 1803 677 - 200

Fax.: +49 (0) 1803 677 - 202

[www.osram.com](http://www.osram.com)

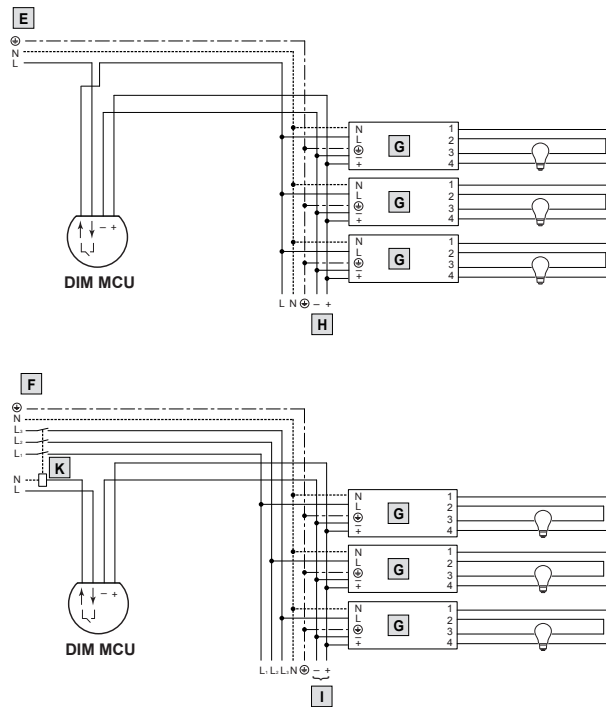
[www.osram.de](http://www.osram.de)



4050300347424

Continued on the back page!

## Installation (cont.)



## Connecting the potentiometer

E Connection diagram for up to 10 single-lamp or 5 two-lamp ECGs

F Connection diagram for up to 50 dimmable ECGs

G Dimmable ECG

H Connect max. 10 single-lamp or 5 two-lamp ECGs

I Connect max. 50 dimmable ECGs

K Relay or contactor

## Appendix

## Technical data

Operating voltage	230 V AC, 50-60 Hz
Switching output load capacity	Max. 6 A resistive load (10 single-lamp ECGs or 5 two-lamp ECGs)
Control output load capacity	Max. 40 mA (max. 50 OSRAM 1...10V ECGs or 16 DIM SA)
Permissible line cross section	Max. 1.5 mm <sup>2</sup>
Permissible ambient temperature	0 °C ... 50 °C
Protection type	IP 20
Protection class	II
Dimensions	Flush-mounted part (Ø x H): 54 x 33 mm Mounting plate (L x W): 71 x 71 mm

## Dimensions

